

# PARKINS- 3122 W SR 18

NORTH ↑

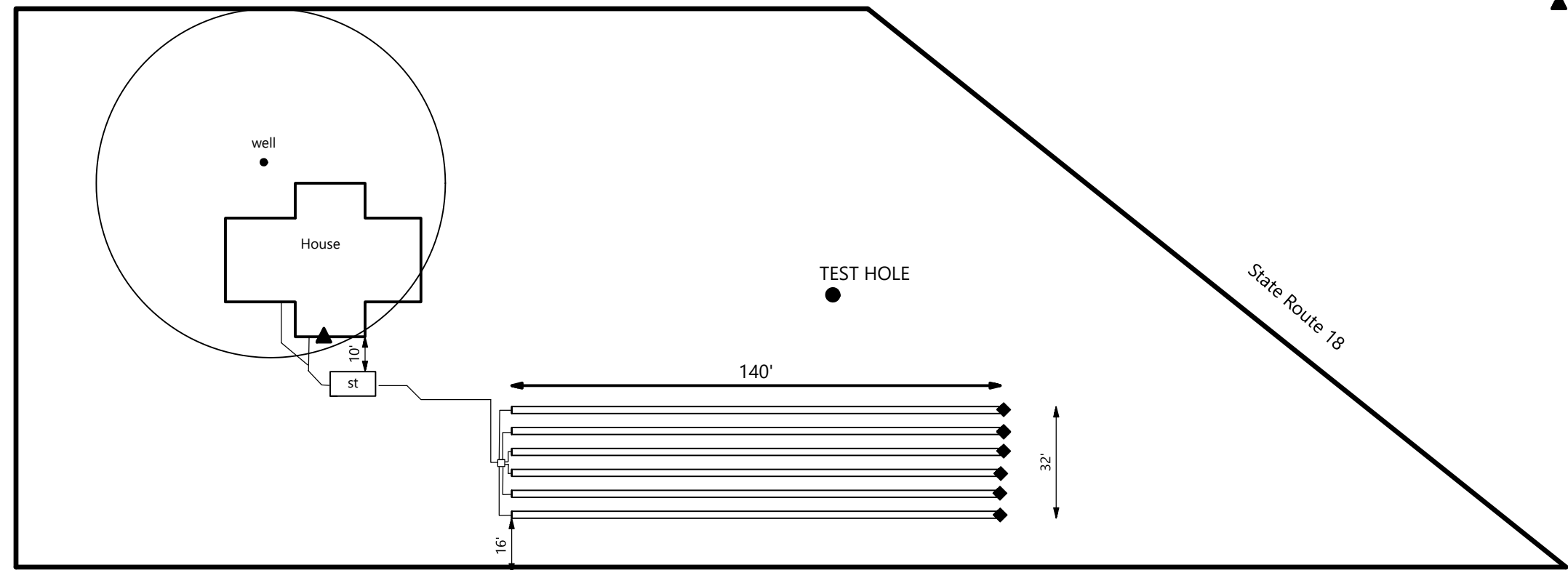
NOT A LEGAL SURVEY

1"=40ft

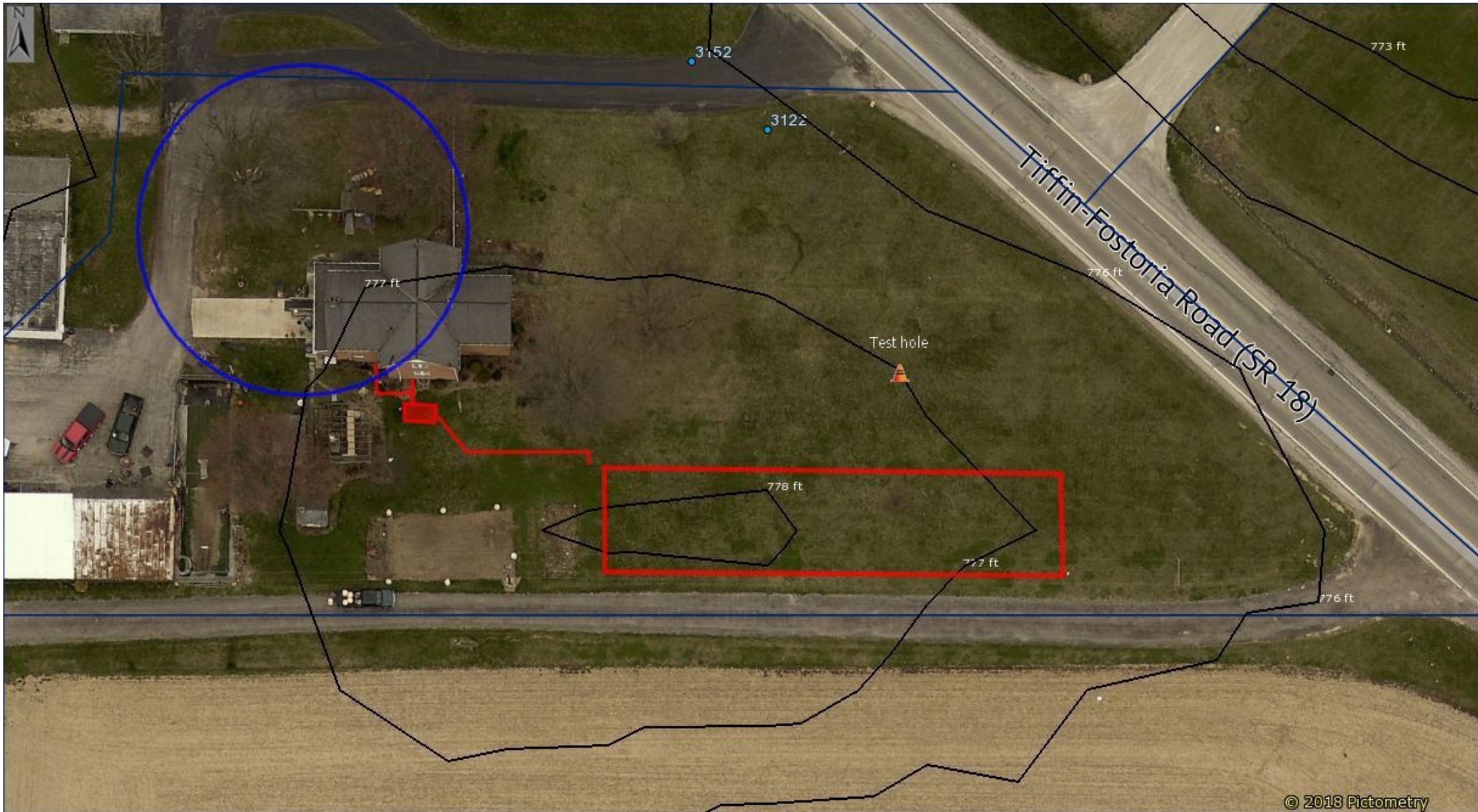
Print to be 17"x11" for scale

## LEGEND

- ◆ Observation Ports
- ▲ Benchmark

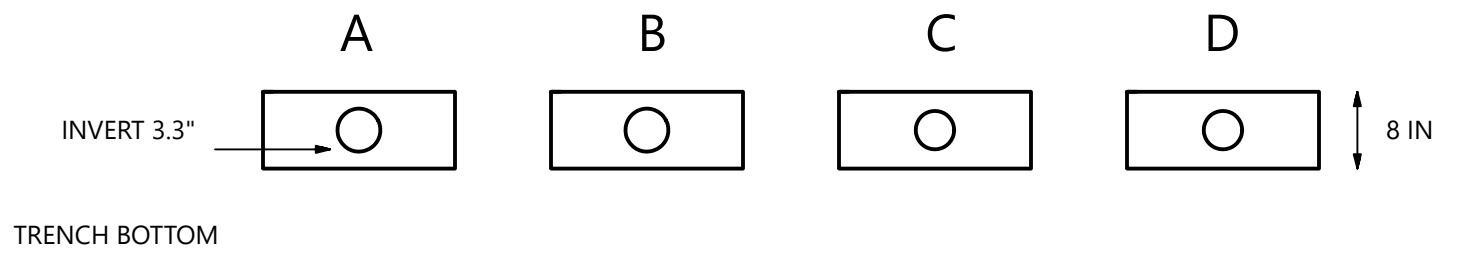
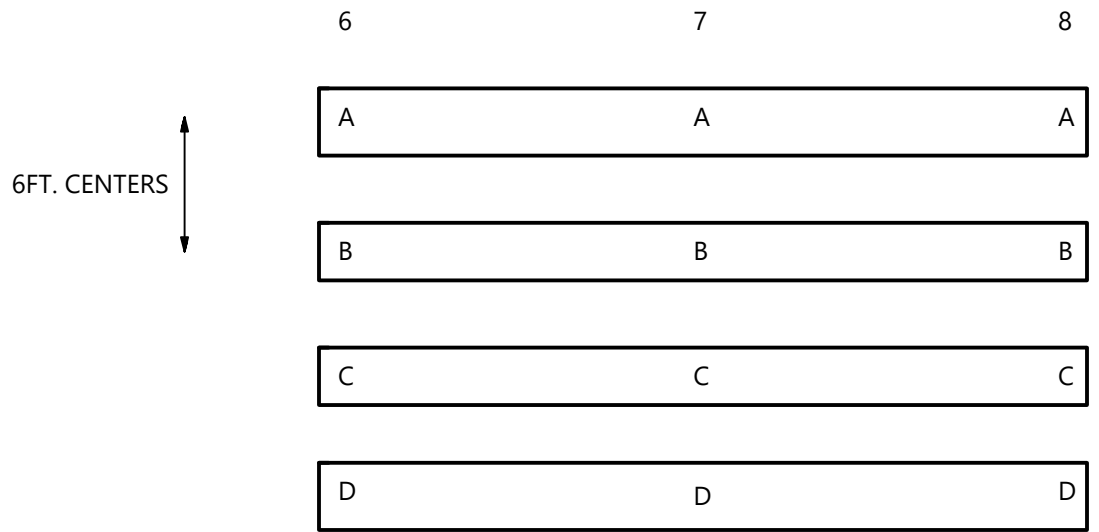
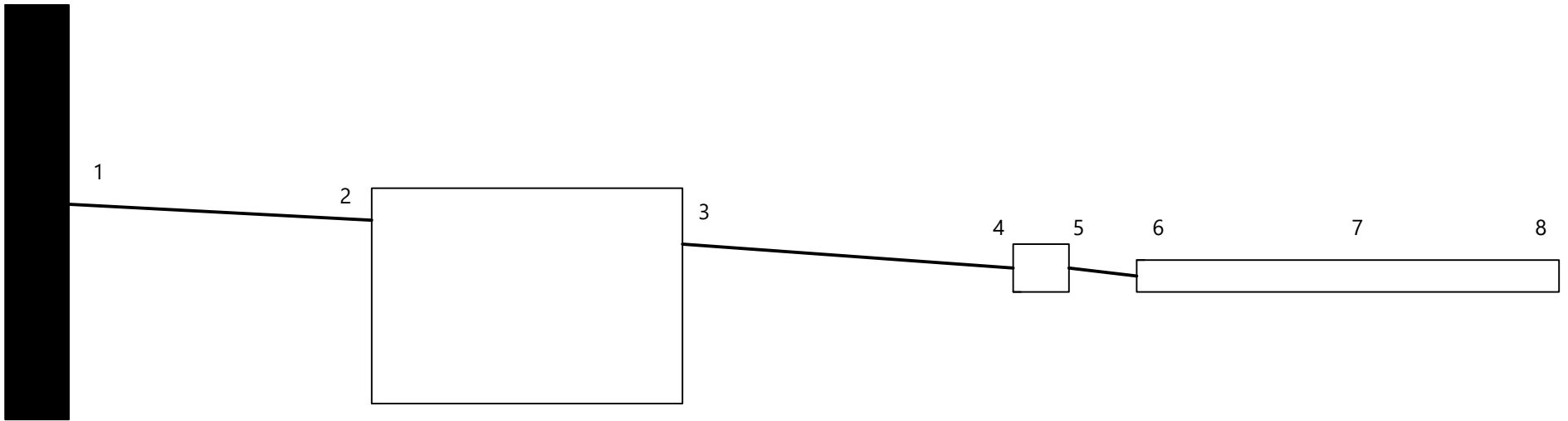


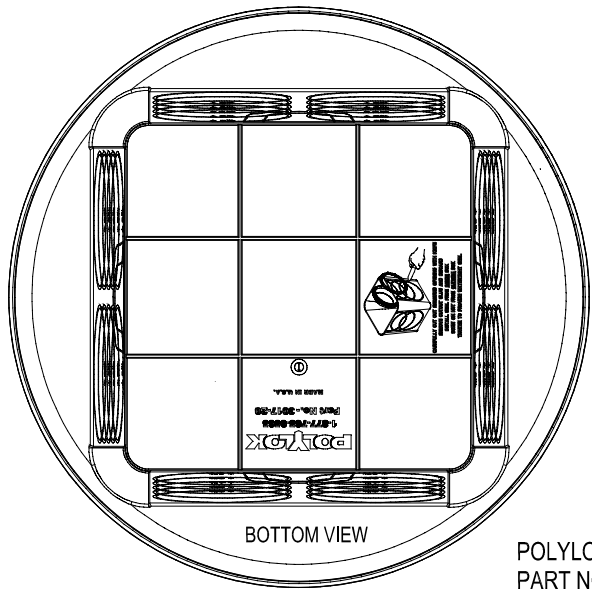
# 3122 W SR 18



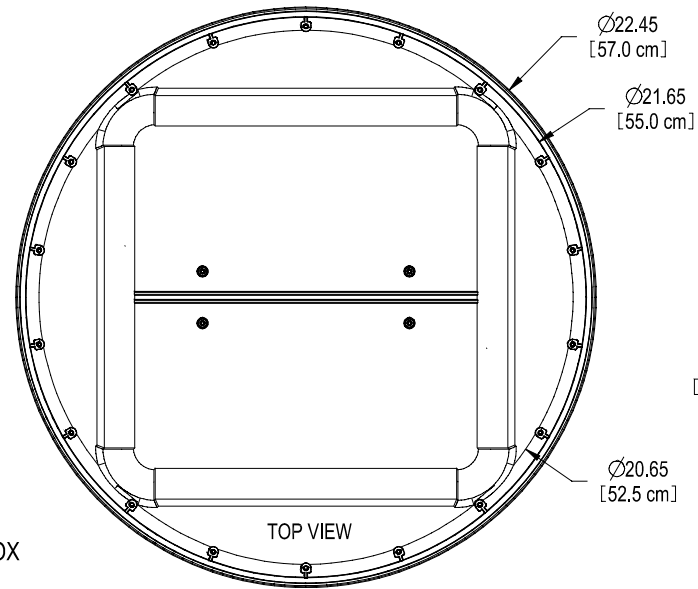
OWNER NAME:	Parkins			
ADDRESS:	3122 W SR 18			
# BEDROOMS	4			
DAILY DESIGN FLOW	520	Jacuzzi tube in home		
ADJUSTMENTS:				
SYSTEM TYPE	Leachfield			
<b><u>SOILS</u></b>				
LIMITING CONDITION		PSWT		
DEPTH TO LIMITING CONDITION		14"		
INFILTRATION DEPTH		12"		
DEPTH INTO ORIGINAL GRADE		2"		
SLOPE	0%			
	>25 mg/l	< 25 mg/l		
SOIL INFILTRATION LOADING RATE	0.4		Soil Horizon	Bt2
HYRAULIC LINEAR LOADING RATE	3		Soil Horizon	Bt1
<b><u>SYSTEM CALCULATIONS</u></b>				
INFILTRATIVE SURFACE (ft2)		1300		
25% ADDITION FOR RESTING (ft2)		1625		
25% REDUCTION FOR GRAVELLESS		1219		
<u>MIN. INFILTRATIVE SURFACE (ACTIVE)</u>		<b>1219</b>		
<u>MIN. INFILTRATIVE SURFACE (RESTING)</u>		<b>406</b>		
<u>MIN. INFILTRATIVE SURFACE (TOTAL)</u>		<b>1625</b>		
TRENCH LENGTH		173		
% TRENCH LENGTH REDUCTION		20%		
MIN. TRENCH LENGTH		139		
NUMBER OF TRENCHES		<b>6</b>		
ACTIVE LEACH TRENCHES		<b>4</b>		
RESTING LEACH TRENCHES		<b>2</b>		
<b><u>ACTUAL DESIGN</u></b>				
TRENCH WIDTH		<b>2</b>		
TRENCH LENGTH		<b>140</b>		
NUMBER OF TRENCHES		<b>6</b>		
TOTAL LINEAR FT. OF TRENCH		<b>840</b>		
TOTAL INFILTRATIVE SURFACE		<b>1680</b>		
FIELD WIDTH		32		
<b><u>CONSTRUCTION NOTES:</u></b>				
<b>Both septic outlets in home required to be raised 6" inside home and all plumbing connected.</b>				
60ft- 4" SCH 40 pipe				
2- 4" Cleanouts installed				
2000 gal septic tank				
1- 8 hole D-box				
150ft- 4" SCH 21 pipe or equivalent				
210- Quick 4 Equalizer 36 Chambers				
6- Plus end caps and 6- All-In-One end caps				
6- Observation ports				
6- Speed levelers				

LOCATION	FLOW LINE	ORIGINAL GRADE	FINISHED GRADE
1	3.5	1.75	1.75
2	3.7	2.75	1.75
3	3.9	2.75	1.75
4	4.2	4.55	3.4
5	4.4	4.55	3.4
	TRENCH BOTTOM	ORIGINAL GRADE	FINISHED GRADE
6			
A	4.7	4.55	3.4
B	4.7	4.55	3.4
C	4.7	4.55	3.4
D	4.7	4.55	3.4
7			
A	4.7	4.45	3.4
B	4.7	4.45	3.4
C	4.7	4.45	3.4
D	4.7	4.45	3.4
8			
A	4.7	4.35	3.4
B	4.7	4.35	3.4
C	4.7	4.35	3.4
D	4.7	4.35	3.4
BENCHMARK	Top sil plate (white brick)	1	

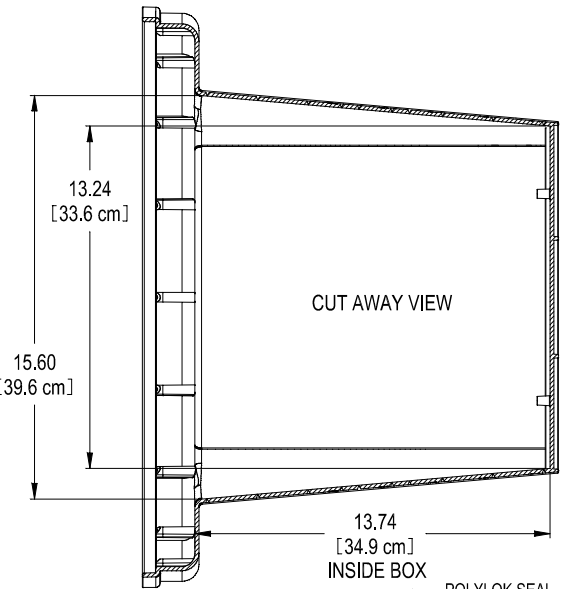




BOTTOM VIEW



TOP VIEW



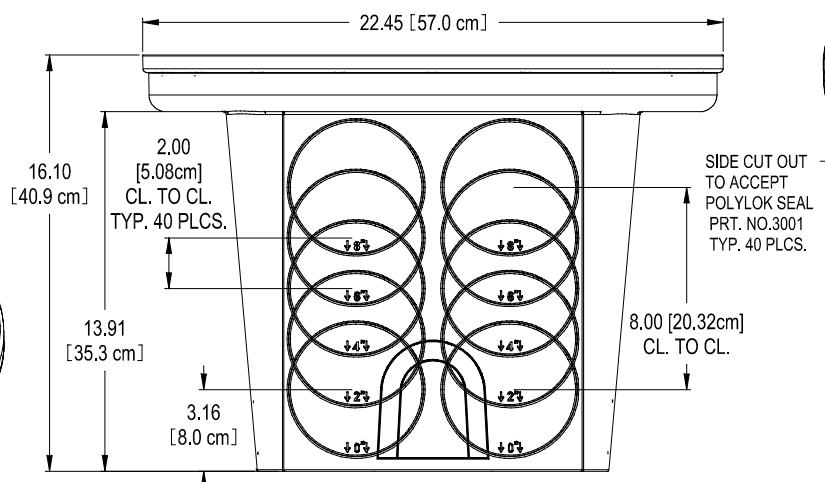
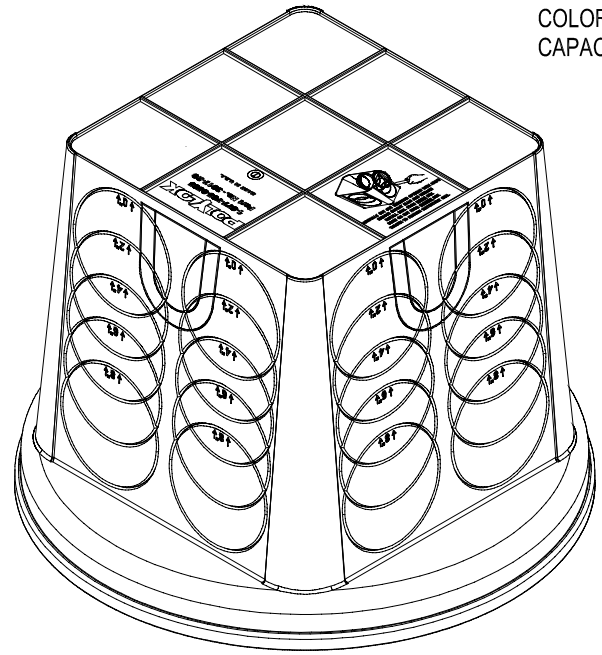
CUT AWAY VIEW

INSIDE BOX

POLYLOK 20" D-BOX  
 PART NO. 3017-20  
 MATERIAL - POLYPROPYLENE  
 COLOR - BLACK  
 CAPACITY - 15 GALLONS

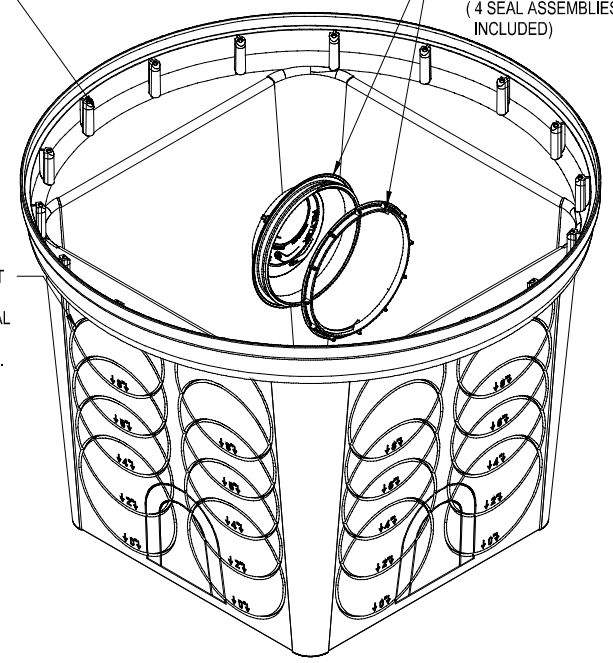
BOX ACCEPTS:  
 LIGHT COVER PART NO. - 3009C  
 HEAVY COVER PART NO. -3017-C20  
 GRATE- PART NO. -3017-G20  
 6" TALL RISER PART NO. 3009  
 12" TALL RISER PART NO. 3009-R12

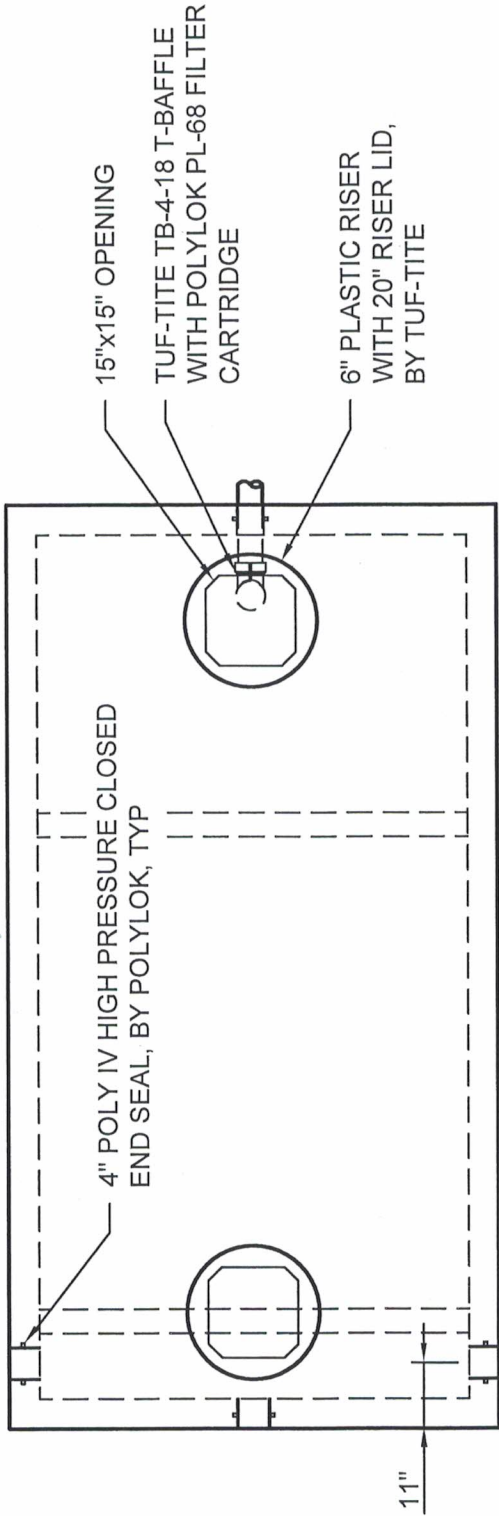
POLYLOK SEAL ASSEMBLY PART NO. 3001 (4 SEAL ASSEMBLIES INCLUDED)



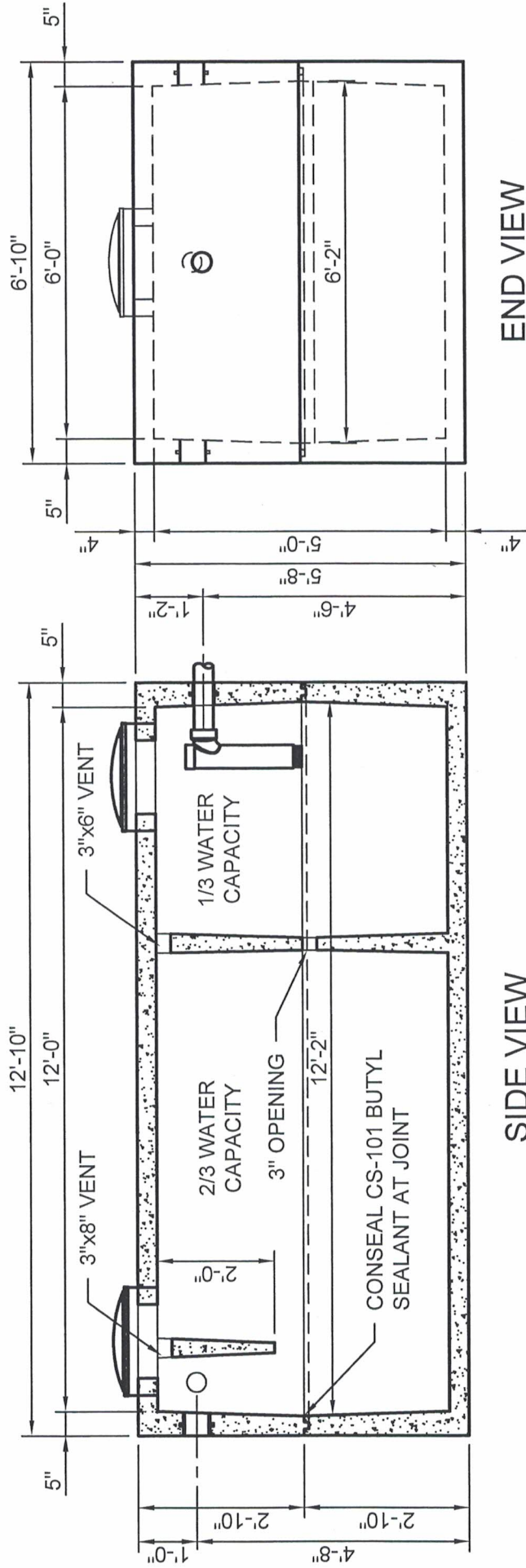
FRONT/SIDE VIEW

SIDE CUT OUT TO ACCEPT POLYLOK SEAL PRT. NO.3001 TYP. 40 PLCS.





PLAN VIEW



SIDE VIEW

END VIEW

**Stiger**  
*Precast, Inc.*  
 17793 St Hwy. 231  
 Nevada, OH 44849

Scale: 1/2" = 1'-0"  
 Date: 12/22/2015

2,000 GALLON  
 SEPTIC TANK

Dwg No. **ST**  
**2000**



**INFILTRATOR®**  
water technologies

**Quick4<sup>PLUS</sup>**  
CHAMBER SYSTEMS

# The Quick4® Plus Equalizer 36 Low Profile (LP) Chamber

## Quick4 Plus™ Series

The Quick4 Plus Equalizer 36 Low Profile (LP) offers maximum strength through its two center structural columns. This chamber can be installed in a 24-inch-wide trench. It is 4 inches shorter in height than other Equalizer 36 model chambers, allowing for shallower installation. Like the original line of Quick4 chambers, it offers advanced contouring capability with its Contour Swivel Connection™, which permits turns up to 15°, right or left. The Quick4 Plus All-in-One 8 and Quick4 Plus Endcaps provide increased flexibility in system design and configurations.



**Maximum Strength**

### Quick4 Plus Equalizer 36 LP Chamber Specifications

**Size**

22"W x 53"L x 8"H  
(559 mm x 1346 mm x 203 mm)

**Effective Length**

48" (1219 mm)

**Louver Height**

6.3" (160 mm)

**Storage Capacity**

20 gal (76 L)

**Invert Height**

3.3" (84 mm), 9.6" (244 mm)



### Quick4 Plus Equalizer 36 Low Profile (LP) Chamber Benefits:

- Low profile design makes this chamber ideal for shallow applications
- Reduces imported fill needed for cap and fill systems
- Two center structural columns offer superior strength
- Advanced contouring connections
- Latching mechanism allows for quick installation
- Four-foot chamber lengths are easy to handle and install
- Supports wheel loads of 16,000 lbs/axle with 12" of cover

### Quick4 Plus All-in-One Periscope Benefits:

- Allows for raised invert installations
- 180° directional inletting
- 12" raised invert is ideal for serial applications



### Quick4 Plus All-in-One 8 Endcap Benefits:

- May be used at the end of chamber row for an inlet/outlet or can be installed mid-trench
- Mid-trench connection feature allows center feed inletting of chamber rows
- Center-feed connection allows for easy installation of serial distribution systems
- Variable pipe connection options allow for side, end or top inletting
- Piping drill points are set for gravity or pressure pipe

### Quick4 Plus Endcap Benefits:

- Simple, flat design
- Allows installation of a pipe from the end only
- Piping drill points are set for gravity or pressure pipe

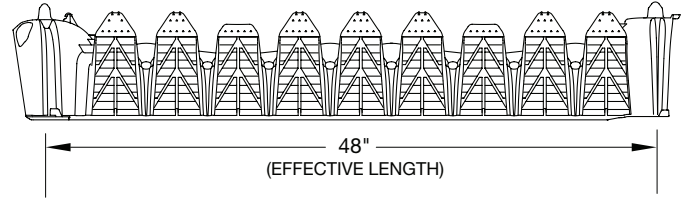
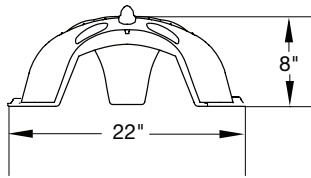


Certified by the International Association of Plumbing and Mechanical Officials (IAPMO)

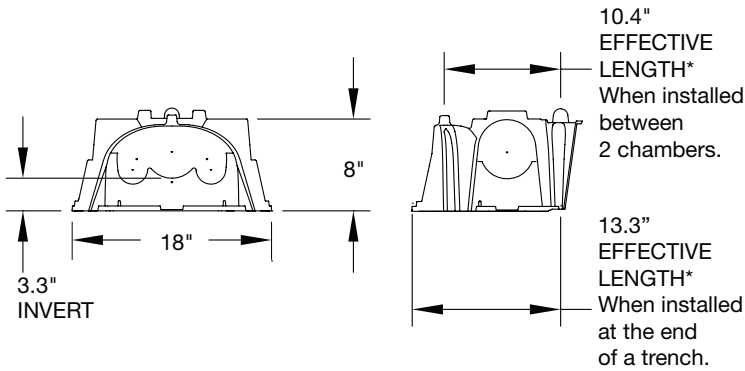




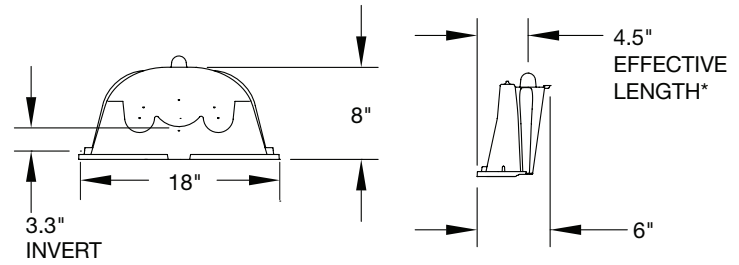
**Quick4 Plus Equalizer 36 Low Profile Chamber**



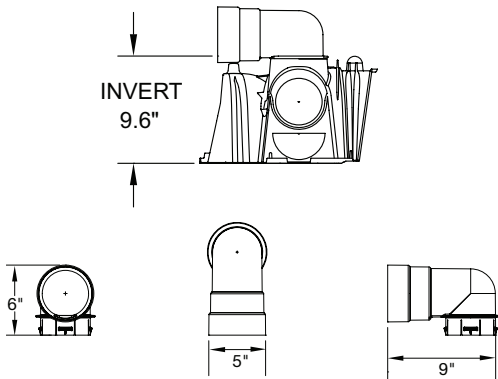
**Quick4 Plus All-in-One 8 Endcap**



**Quick4 Plus Endcap**



**Quick4 Plus All-in-One Periscope**



**INFILTRATOR WATER TECHNOLOGIES STANDARD LIMITED WARRANTY**

(a) The structural integrity of each chamber, endcap and other accessory manufactured by Infiltrator ("Units"), when installed and operated in a leachfield of an onsite septic system in accordance with Infiltrator's instructions, is warranted to the original purchaser ("Holder") against defective materials and workmanship for one year from the date that the septic permit is issued for the septic system containing the Units; provided, however, that if a septic permit is not required by applicable law, the warranty period will begin upon the date that installation of the septic system commences. To exercise its warranty rights, Holder must notify Infiltrator in writing at its Corporate Headquarters in Old Saybrook, Connecticut within fifteen (15) days of the alleged defect. Infiltrator will supply replacement Units for Units determined by Infiltrator to be covered by this Limited Warranty. Infiltrator's liability specifically excludes the cost of removal and/or installation of the Units.

(b) THE LIMITED WARRANTY AND REMEDIES IN SUBPARAGRAPH (a) ARE EXCLUSIVE. THERE ARE NO OTHER WARRANTIES WITH RESPECT TO THE UNITS, INCLUDING NO IMPLIED WARRANTIES OF MERCHANTABILITY OR FITNESS FOR A PARTICULAR PURPOSE

(c) This Limited Warranty shall be void if any part of the chamber system is manufactured by anyone other than Infiltrator. The Limited Warranty does not extend to incidental, consequential, special or indirect damages. Infiltrator shall not be liable for penalties or liquidated damages, including loss of production and profits, labor and materials, overhead costs, or other losses or expenses incurred by the Holder or any third party. Specifically excluded from Limited Warranty coverage are damage to the Units due to ordinary wear and tear, alteration, accident, misuse, abuse or neglect of the Units; the Units being subjected to vehicle traffic or other conditions which are not permitted by the installation instructions; failure to maintain the minimum ground covers set forth in the installation instructions; the placement of improper materials into the system containing the Units; failure of the Units or the septic system due to improper siting or improper sizing, excessive water usage, improper grease disposal, or improper operation; or any other event not caused by Infiltrator. This Limited Warranty shall be void if the Holder fails to comply with all of the terms set forth in this Limited Warranty. Further, in no event shall Infiltrator be responsible for any loss or damage to the Holder, the Units, or any third party resulting from installation or shipment, or from any product liability claims of Holder or any third party. For this Limited Warranty to apply, the Units must be installed in accordance with all site conditions required by state and local codes; all other applicable laws; and Infiltrator's installation instructions.

(d) No representative of Infiltrator has the authority to change or extend this Limited Warranty. No warranty applies to any party other than the original Holder.

The above represents the Standard Limited Warranty offered by Infiltrator. A limited number of states and counties have different warranty requirements. Any purchaser of Units should contact Infiltrator's Corporate Headquarters in Old Saybrook, Connecticut, prior to such purchase, to obtain a copy of the applicable warranty, and should carefully read that warranty prior to the purchase of Units.



4 Business Park Road  
P.O. Box 768  
Old Saybrook, CT 06475  
860-577-7000 • Fax 860-577-7001  
**1-800-221-4436**  
[www.infiltratorwater.com](http://www.infiltratorwater.com)

U.S. Patents: 4,759,661; 5,017,041; 5,156,488; 5,336,017; 5,401,116; 5,401,459; 5,511,903; 5,716,163; 5,588,778; 5,839,844 Canadian Patents: 1,329,959; 2,004,564 Other patents pending. Infiltrator, Equalizer, Quick4, and SideWinder are registered trademarks of Infiltrator Water Technologies. Infiltrator is a registered trademark in France. Infiltrator Water Technologies is a registered trademark in Mexico. Contour, MicroLeaching, PolyTuff, ChamberSpacer, MultiPort, PosiLock, QuickCut, QuickPlay, SnapLock and StraightLock are trademarks of Infiltrator Water Technologies. PolyLok is a trademark of PolyLok, Inc. TUF-TITE is a registered trademark of TUF-TITE, INC. Ultra-Rib is a trademark of IPEX Inc.

© 2013 Infiltrator Water Technologies, LLC. All rights reserved. Printed in U.S.A.

PLUS06 0713

**Contact Infiltrator Water Technologies' Technical Services Department for assistance at 1-800-221-4436**